

HIRSCHMANN MOBILITY



CELLULAR (2G/3G/4G)/ GNSS (GPS/GLONASS)/ WLAN (2.4GHz/5.8GHz) Screw Antenna

CGNW 702659 SF S/series

Pt no.
955-181-...

- Combination antenna for positioning, data-services and short range radio services
- Terrestrial based transmission and satellite-based positioning
- Embedded high performance LNA with ceramic patch antenna
- Screw mounting on metallic ground
- Street vehicle roof mount installation

Subject to alterations

Technical data

Dimensions	95 x 57 x 72 mm
Housing materials	PA 6
Weight	ca. 178 g
Tightening torque	max. 7 Nm
Temperature range	-40 °C – +85 °C / -40 °F to + 185 °F
Protection class	IP 6k9K (acc. ISO 20653)
Cable type	RG 174

Cellular

Frequency range	LTE-LB: 698 - 862 MHz
	GSM 850: 824 - 894 MHz
	GSM 900: 880 - 960 MHz
	GSM 1800: 1710 - 1880 MHz
	GSM 1900: 1850 - 1990 MHz
	UMTS: 1920 - 2170 MHz
	LTE-HB: 2305 - 2690 MHz

Impedance	50 Ohm
Return loss	> 12 dB
Decoupling	> 40 dB
Load capacity	max. 8 W pulsed acc. GSM standard
VSWR	< 3:1
Gain	2,5 dBi*

GNSS

Frequency range	GPS: 1,575 MHz - 1610 MHz
	GLONASS: 1602,0 - 1614,94 MHz
Return loss	> 12 dB
Impedance	50 Ohm
Gain	typ. 2 dBic*
Amplification	typ. 27 ±3 dB
Noise figure	< 1,9 ±0,3 dB
Voltage supply	2,9 – 5,5 VDC
Current consumption	≤ 12 mA ± 3 mA at 3,3 V

CELLULAR (2G/3G/4G)/ GNSS (GPS/GLONASS)/ WLAN (2.4GHz/5.8GHz) SCREW ANTENNA

CGNW 702659 SF S/series Pt no. 955-181-...

WLAN

Frequency range	IEEE 802.11 b, g: 2400 - 2484 MHz IEEE 802.11 p: 5755 - 5925 MHz
Impedance	50 Ohm
Load capacity	IEEE 802.11 b, g: max. 200 mW (1 W only USA) IEEE 802.11 p: 8 W EIRP (5,79 - 5,81 GHz) 2 W EIRP (5,85 - 5,92 GHz)
VSWR	< 2,5:1
Gain	2.5 dBi* @ 2.4 GHz; +3 dBi* @ 5.8 GHz
Diagnostic resistor	10 kOhms

* dBic: referenced to an isotropic radiator, circular polarization

* dBi: referenced to an isotropic radiator

Versions

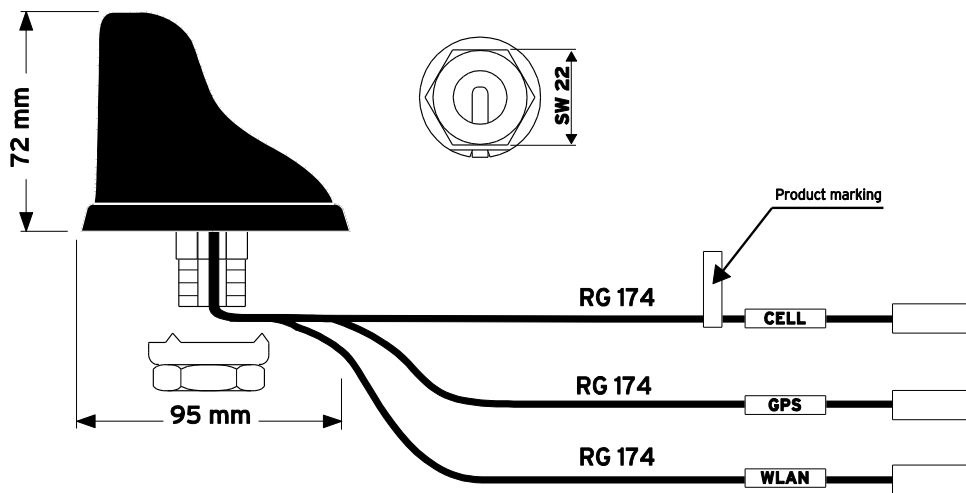
	CELL	GNSS	WLAN
-001 CGNW 702659 SF S/SMA/0.15	150 mm SMAm	150 mm SMAm	150 mm SMAm
-002 CGNW 702659 SF S/FAKRA/D/C/E/0.3	325 mm FAKRAf, D	305 mm FAKRAf, C	315 mm FAKRAf, E
-003 CGNW 702659 SF S/FME/3.0	3000 mm FMEf	3000 mm FMEf	3000 mm FMEf
-004 CGNW 702659 SF S/SMA/5.0	5000 mm SMAm	5000 mm SMAm	5000 mm SMAm
-005 CGNW 702659 SF S/FAKRA/D/C/E/5.0	5000 mm FAKRAf, D	5000 mm FAKRAf, C	5000 mm FAKRAf, E
-006 CGNW 702659 SF S/FME/SMA/FME/5.0	5000 mm FMEf	5000 mm SMAm	5000 mm FMEf
-007 CGNW 702659 SF S/FME/SMB/SMA/0.25	250 mm FMEf	250 mm SMBf	250 mm SMAm
-008 CGNW 702659 SF S/FAKRA/D/C/K/2.0	2000 mm FAKRAf, D	2000 mm FAKRAf, C	2000 mm FAKRAf, K
-009 CGNW 702659 SF S/SMA/3.0	3000 mm SMAm	3000 mm SMAm	3000 mm SMAm
-010 CGNW 702659 SF S/FAKRA/D/C/K/5.0	5000 mm FAKRAf, D	5000 mm FAKRAf, C	5000 mm FAKRAf, K
-011 CGNW 702659 SF S/FAKRA/D/C/B/0.3	325 mm FAKRAf, D	325 mm FAKRAf, C	325 mm FAKRAf, B
-012 CGNW 702659 SF S/FAKRA/D/C/I/0.3	300 mm FAKRAf, D	300 mm FAKRAf, C	300 mm FAKRAf, I
-013 CGNW 702659 SF S/FAKRA/D/C/I/5.0	5000 mm FAKRAf, D	5000 mm FAKRAf, C	5000 mm FAKRAf, I

CELLULAR (2G/3G/4G)/ GNSS (GPS/GLONASS)/ WLAN (2.4GHz/5.8GHz) SCREW ANTENNA

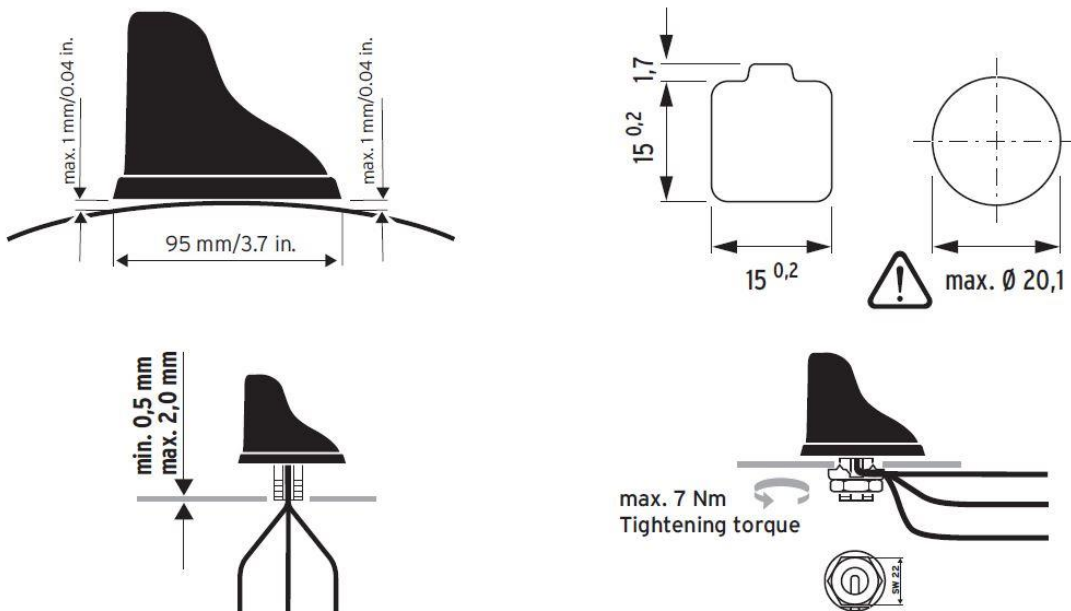
CGNW 702659 SF S/series Pt no. 955-181-...

Subject to alterations

Technical drawings



Installation



www.te.com/hirschmann-mobility

hirschmann-mobility@te.com

TE, TE Connectivity, TE connectivity (logo), and EVERY CONNECTION COUNTS are trademarks. Hirschmann is a trademark.

LTE, GSM, UMTS, GLONASS and FAKRA are trademarks.

The information given herein, including drawings, illustrations and schematics which are intended for illustration purposes only, is believed to be reliable. However, TE Connectivity makes no warranties as to its accuracy or completeness and disclaims any liability in connection with its use. TE Connectivity's obligations shall only be as set forth in TE Connectivity's Standard Terms and Conditions of Sale for this product and in no case will TE Connectivity be liable for any incidental, indirect or consequential damages arising out of the sale, resale, use or misuse of the product. Users of TE Connectivity products should make their own evaluation to determine the suitability of each such product for the specific application.

© 2019 TE Connectivity Ltd. family of companies All Rights Reserved.